

Read following SAFETY CONSIDERATIONS for installation carefully before installing the kit and be sure to install it correctly.

- The precautions described herein are classified as **WARNING** and **CAUTION**. They both contain important information regarding safety. Be sure to observe all precautions without fail.
- ▲ **WARNING** Failure to follow these instructions properly may result in personal injury or loss of life.
- ▲ **CAUTION** Failure to observe these instructions properly may result in property damage or personal injury, which may be serious depending on the circumstances.
- After completing installation, conduct a trial operation to check for fault. Explain to the customer how to use the kit with the aid of the instructions. See **OPERATION PROCEDURE** mentioned in the reverse side of this manual. Additionally, inform customers that they should store this manual.

WARNING

Ask your dealer or qualified personnel to carry out installation work. Do not attempt to install the kit yourself. Improper installation may result in injuries by the falling parts etc.

Install the parts in accordance with the instructions of this manual. Improper installation may result in injuries by the falling parts etc.

This optional kit is exclusively provided for the DAIKIN Heat Reclaim Ventilator unit. Be sure to confirm the applicable model before connected to Heat Reclaim Ventilator Unit.

Consult your local dealer or specified service representative regarding relocation, installation, disassembly and repairing your Heat Reclaim Ventilator. Do not attempt to install the kit yourself. Improper installation may result in electric shocks or fire.

When servicing, be sure that the power supply to the unit is disconnected and keep sufficient distance from existing wires. Otherwise, it may result in electric shocks.

This product is not a measurement instrument based on the Measurement Act. Do not use this product as a safety device in purpose to detect toxic gas or flammable gas that causes oxygen deficiency or carbon monoxide intoxication.

CAUTION

Follow the installation manual supplied with the Heat Reclaim Ventilator unit for details of selecting the installation site and the method of installation.

In addition to CO₂, the CO₂ Sensor is also sensitive to the gas listed below. (Chlorofluorocarbon, town gas, LP gas, thinner, gasoline, alcohol, hair lacquer, carbon monoxide, insecticide (spray type), combustion gas like as kerosene stove and automotive exhaust gas.)

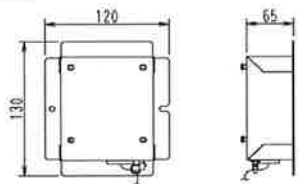
Behavior of the sensor may be influenced by rapid temperature change or humidity fluctuation. In that case, adjust the ventilation volume to "High" rather than "Auto".

Set the ventilation volume to "High" rather than "Auto" when the Heat Reclaim Ventilator is used for the purpose of removing odor or dusts regardless of CO₂ concentration.

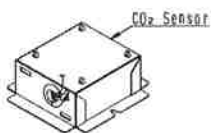
The accuracy of the CO₂ Sensor detection may be reduced due to a large amount of CO₂. Set the ventilation volume to "High" when using the Heat Reclaim Ventilator where usually a large amount of CO₂ is generated.

The airflow volume increases automatically with the automatic operation mode, which may result in noise increase.

Dimensions [unit: mm]



Name of part



Accessories

Check whether that the following accessories are accurately included with the kit.

Name	① Clamp	② Sealing material	Installation manual	③ Clamp
Qty.	2 pcs.	1 pc.	1 set	1 pc.
Shape				

Models

Check whether the kit model is corresponding with your unit.

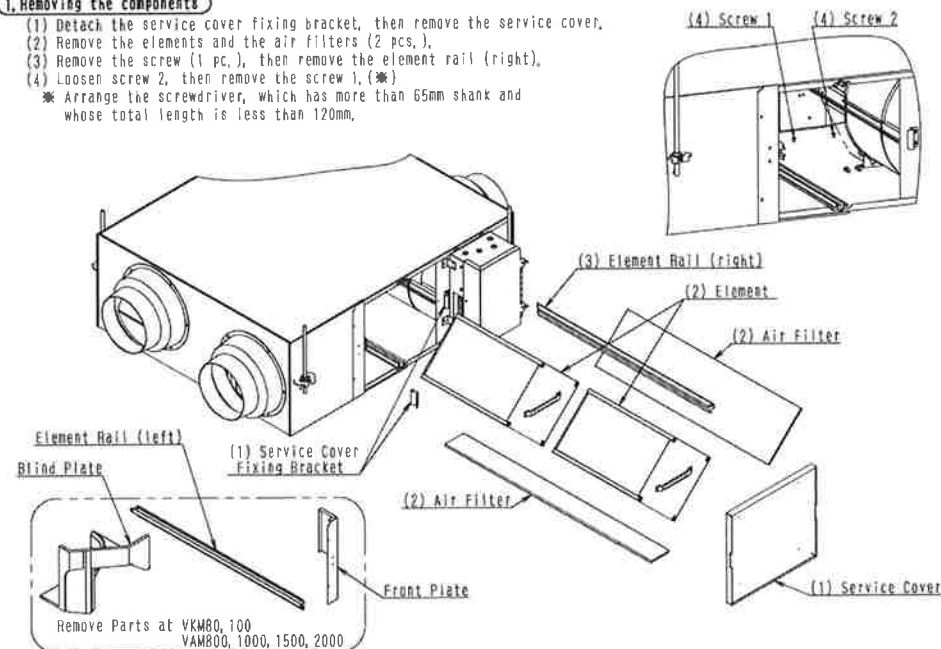
MODEL	APPLICABLE MODEL
BRYMA65	VAM350FB7VE, VAM500FB7VE, VAM650FB7VE, VKM50GB(M)V1
BRYMA100	VAM800FB7VE, VAM1000FB7VE, VKM80GB(M)V1, VKM100GB(M)V1
BRYMA200	VAM1500FB7VE, VAM2000FB7VE

1. CO₂ SENSOR OPTIONAL KIT INSTALLATION

Install the CO₂ Sensor Optional Kit to the Heat Reclaim Ventilator according to the following procedure:
 ● For VAM1500FB7VE and VAM2000FB7VE, install the kit in the upper unit of Heat Reclaim Ventilator.

1. Removing the components

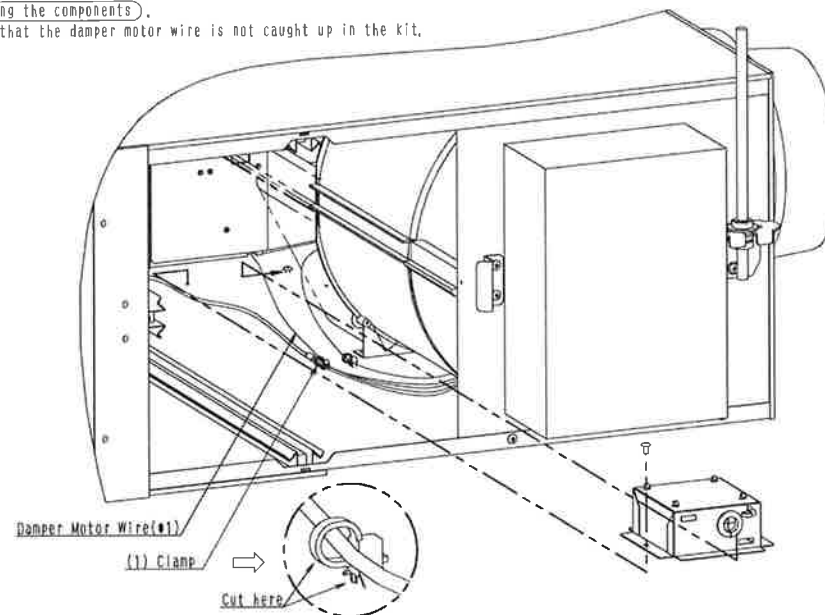
- (1) Detach the service cover fixing bracket, then remove the service cover.
 - (2) Remove the elements and the air filters (2 pcs.).
 - (3) Remove the screw (1 pc.), then remove the element rail (right).
 - (4) Loosen screw 2, then remove the screw 1. (※)
- ※ Arrange the screwdriver, which has more than 65mm shank and whose total length is less than 120mm.



2. Installing the optional kit

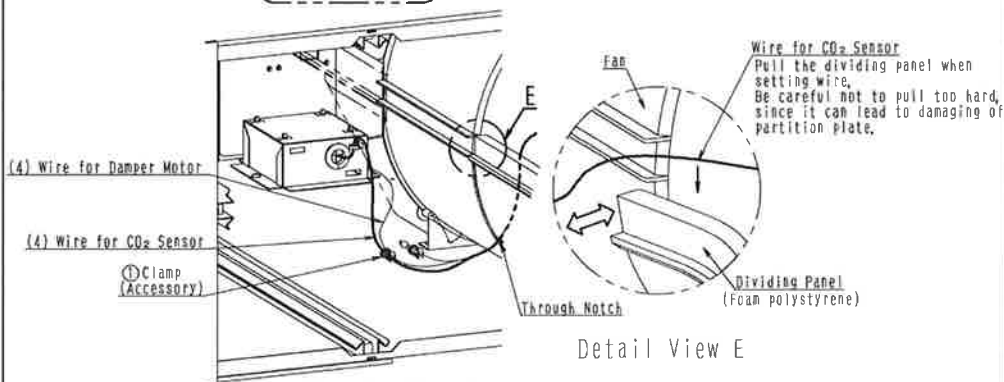
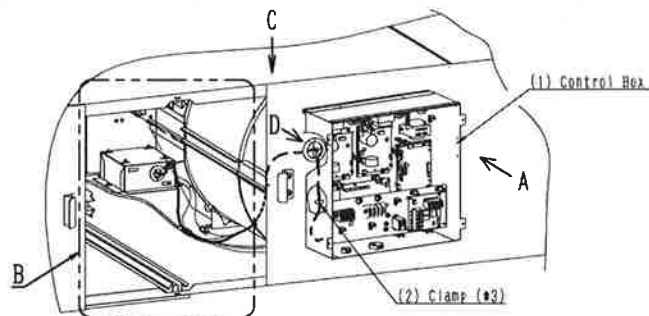
- (1) Remove the clamp (1 pc.) as mentioned in the figure below.
- (2) Install the optional kit with the screws (2 pcs.) described in step (4) see (1. Removing the components).

①: Be sure that the damper motor wire is not caught up in the kit.



3. Wiring Connection of CO₂ Sensor

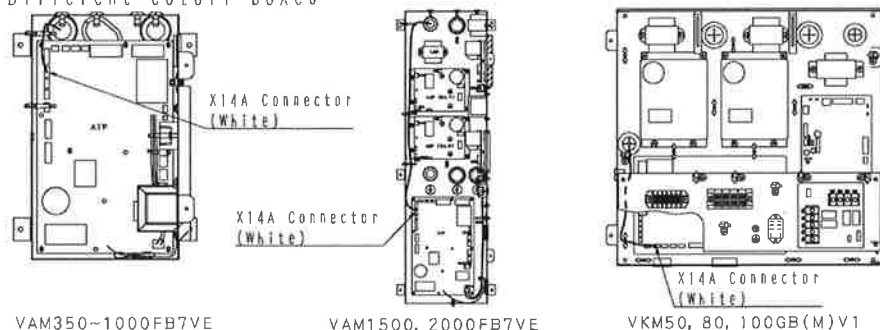
- Remove the screws of the control box lid, and open the control box as the figure below indicates.
- Remove the clamp (1pc.) indicated in the figure below.
- Bring out the wire from inside of the unit through the bush, then firmly insert it to the X14A connector. (See Arrow View A)
- Bundle the wire together with the damper motor wire by the accompanying ① clamp at the position indicated in the figure. (See Detail View B) (#1)
- Secure the wire to get caught between the fan housing and the dividing panel. (See Arrow View C and Detail View E) (#2)
- Cover with the accompanying ② sealing material on top of the preliminarily-attached sealing material to seal a gap around the wire as the figure below indicates. (See Arrow View C and D)
- Bind up excess the CO₂ Sensor wire and bundle together with the damper motor wires from the inside of the unit by the accompanying ③ clamp, then fix them to the control box.
 - #1 : After bundling, cut off the excess edge of the clamp
 - #2 : To install the element rail correctly, the wire must be clamped.
 - #3 : When bundling the wires, be sure to open the control box completely as shown in the figure below.



Detail View B

Detail View E

Different control boxes

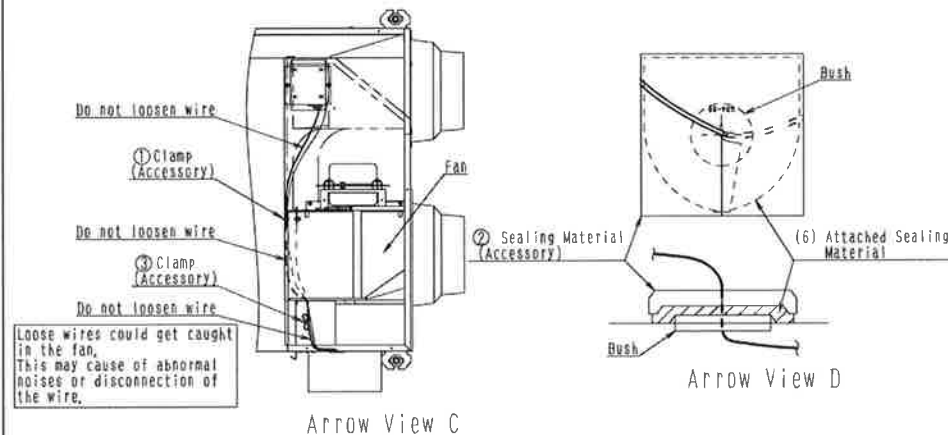


VAM350-1000FB7VE

VAM1500, 2000FB7VE

VKM50, 80, 100GB(M)V1

Arrow View A



4. Installing the components

Close the control box lid, then install the components with the reverse procedure of (1. Removing the components).

2) TEST RUN

- Make sure that the control box in the ventilator is closed before turning on the power supply.
- Turn on the power supply, then check the ventilation volume displayed in the remote controller (optional accessory).
 - Make sure that each time the ventilation volume selector button is pressed, the ventilator volume display changes in the following sequence. (#1, 2)



- #1: When the Heat Reclaim Ventilation Unit is in interlocking operation with VHV or Skyair, the Fresh Up will not be displayed. That is, this is a case only a remote controller for air conditioners is equipped.
- #2: If the 'Auto' or 'Auto Fresh Up' does not display, the following cause can be assumed.
 - a. Connection failure ⇒ Open the control box and check the connectors are connected properly.
 - b. Wire disconnection ⇒ Contact your dealer.
 - c. Failure in the CO₂ Optional Kit (main unit) ⇒ Contact your dealer.

CAUTION

After completion of the test run, check that the heat exchange elements and air filters are installed in the correct position, and the service cover and the control box are installed properly.

OPERATION PROCEDURE

Set the 'Fresh Up' or 'Auto Fresh Up' mode by the ventilation volume selector button of the remote controller to operate with the appropriate airflow volume adjusted depending on CO₂ concentration. For BRC1E3, refer to the operation manual accompanying the remote controller. (Setting to 'Auto' mode by the ventilation volume selector button forces the unit to operate in 'High' mode for 20 minutes in order to decrease CO₂ concentration.)

● CO₂ Sensor

- Detects CO₂ concentration around the CO₂ Sensor after 30 minutes of the power-on, and perceives it as a criterion value (generally atmospheric CO₂ concentration). Therefore, there may be a large gap between the actual concentration and the detected concentration if the CO₂ concentration around the CO₂ Sensor or CO₂ concentration in the room is higher at 30 minutes after the power-on. However, the gap becomes progressively smaller at the time of low CO₂ concentration (at night, or time of low traffic) since the CO₂ Sensor always updates the criterion value by the self-correction mechanism.
- If the unit is used in an area with higher CO₂ concentration (e.g. a place along a main road): before installation, measure the CO₂ concentration outside the building. If the CO₂ concentration exceeds 500ppm, the CO₂ Sensor setting has to be corrected. Ask your dealer about the correction of the CO₂ Sensor settings.